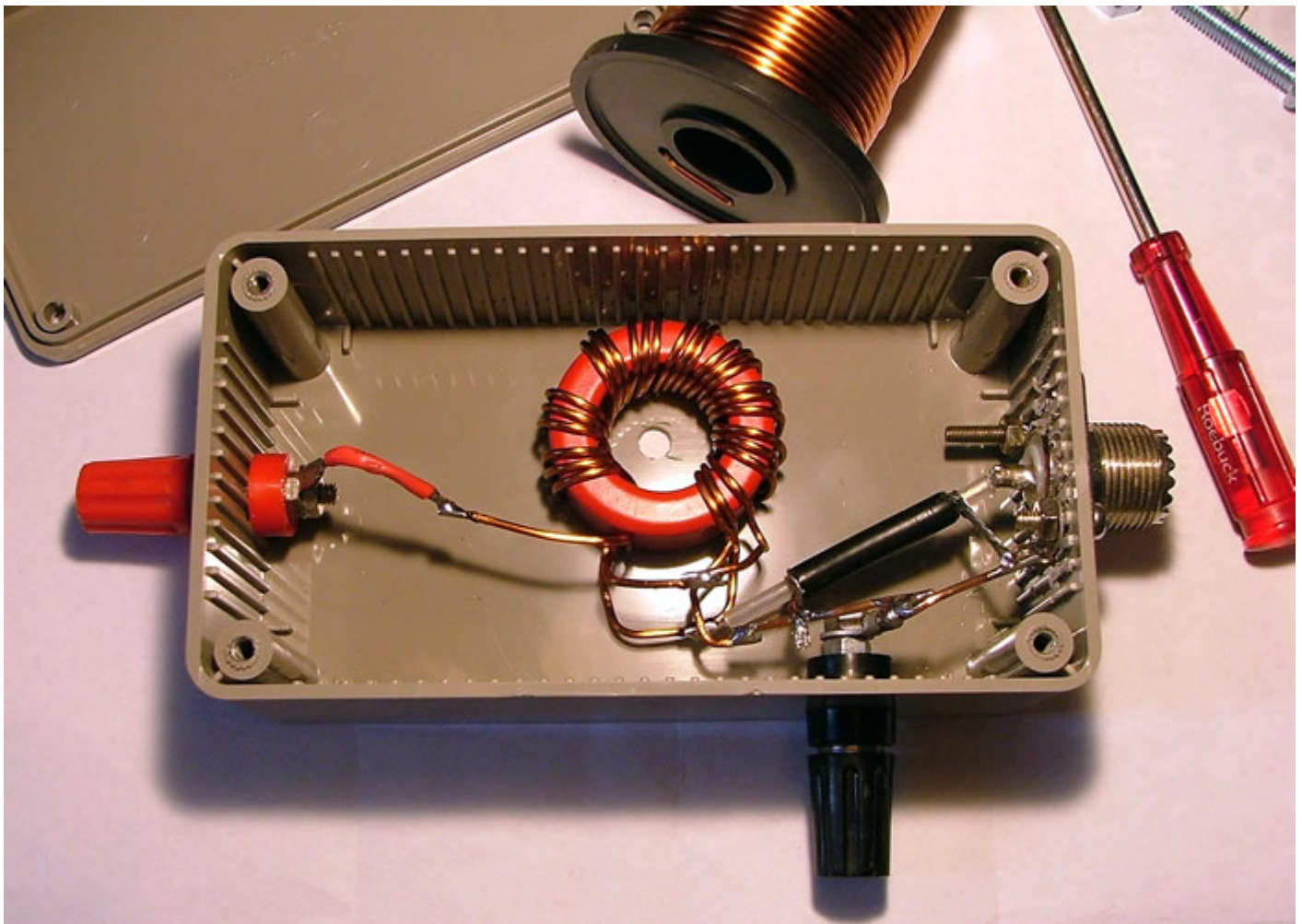
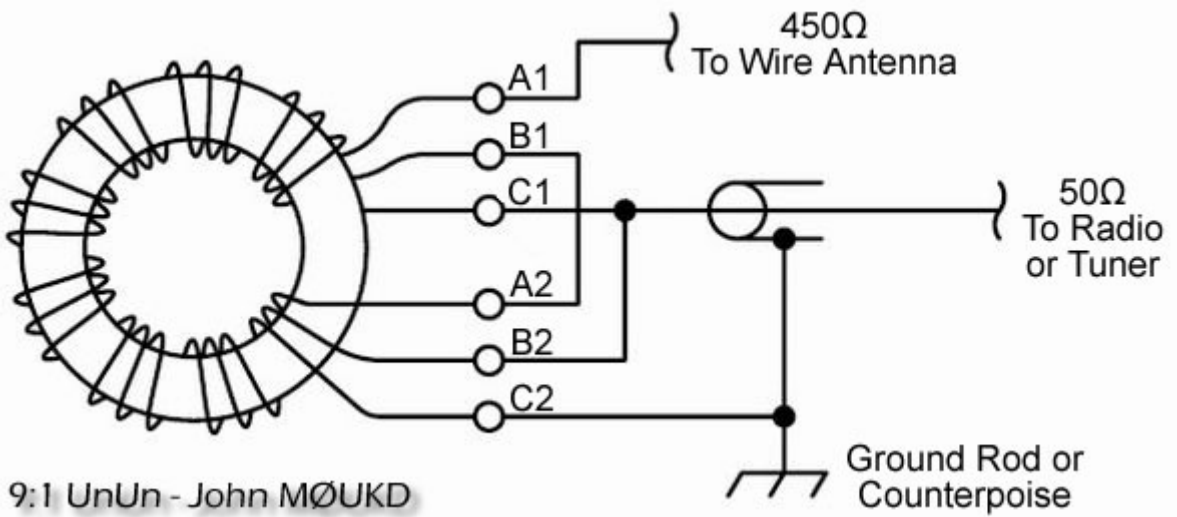


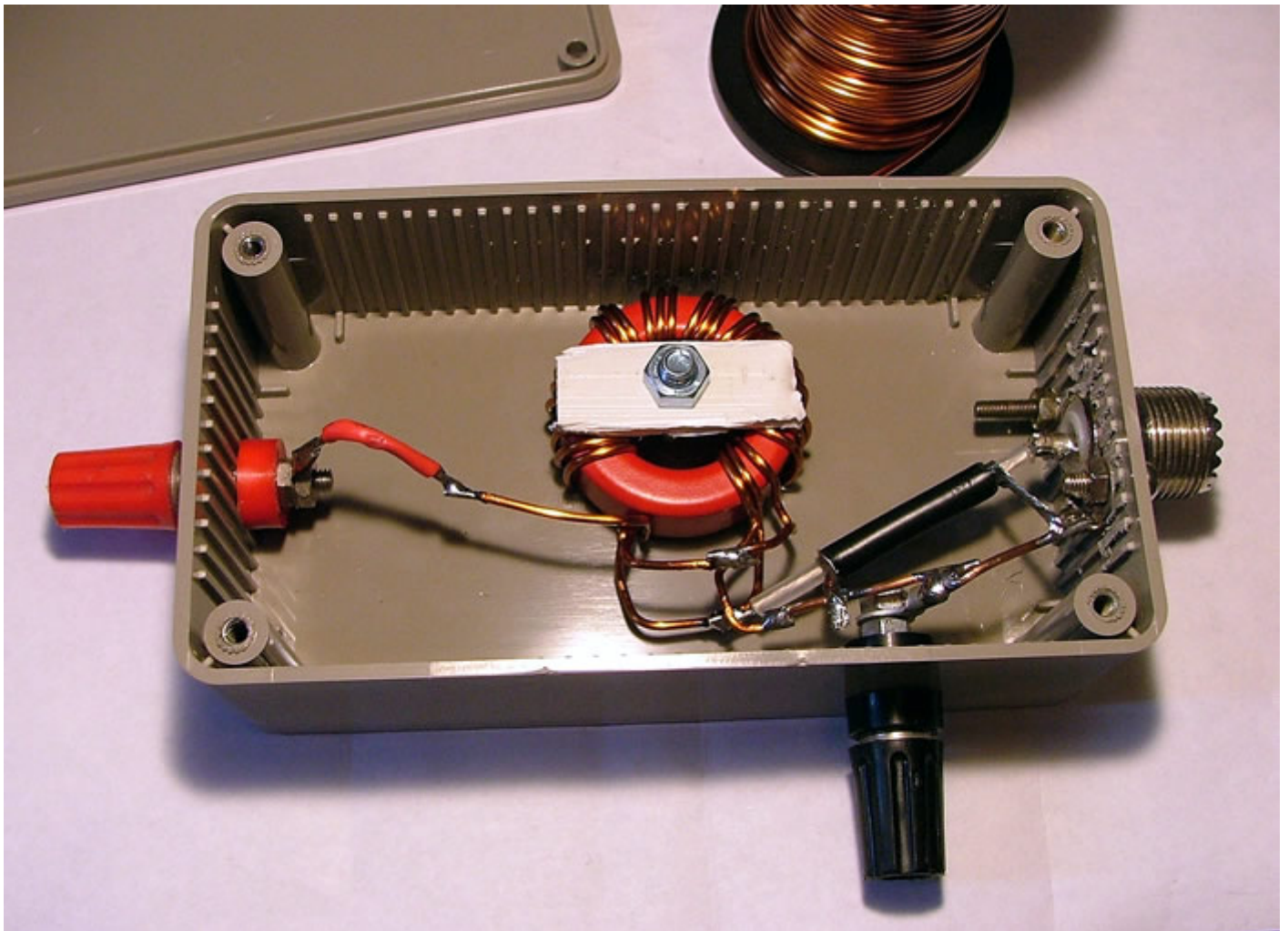
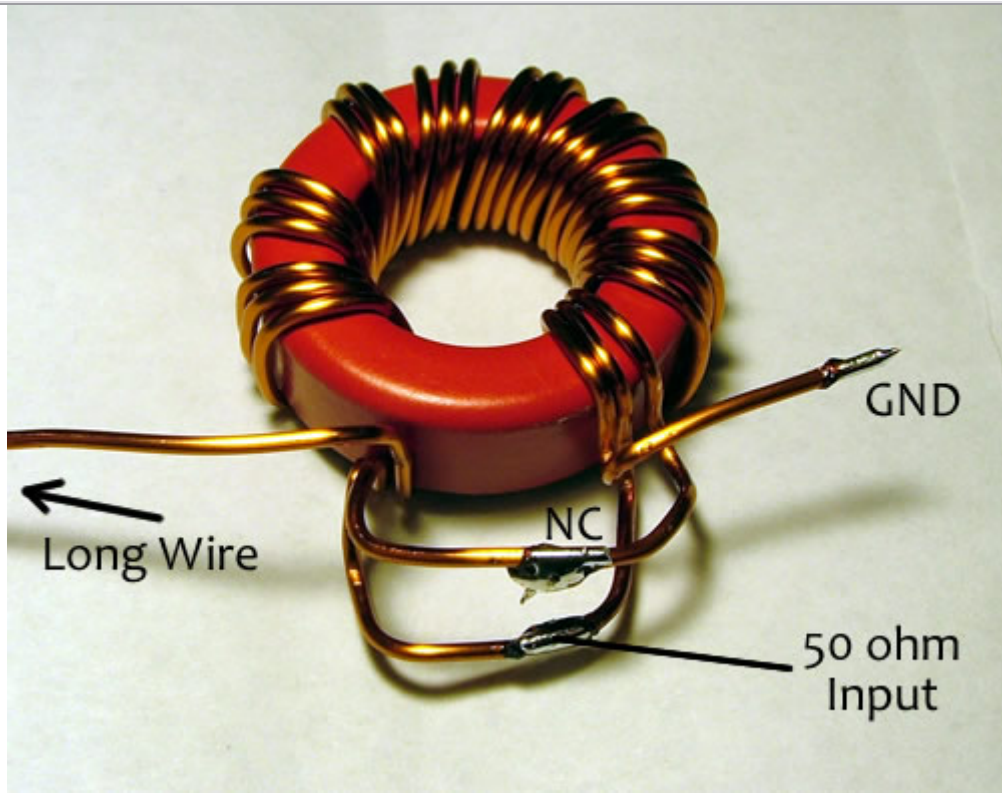
# MØUKD

## Magnetic Long Wire UnUn 9:1

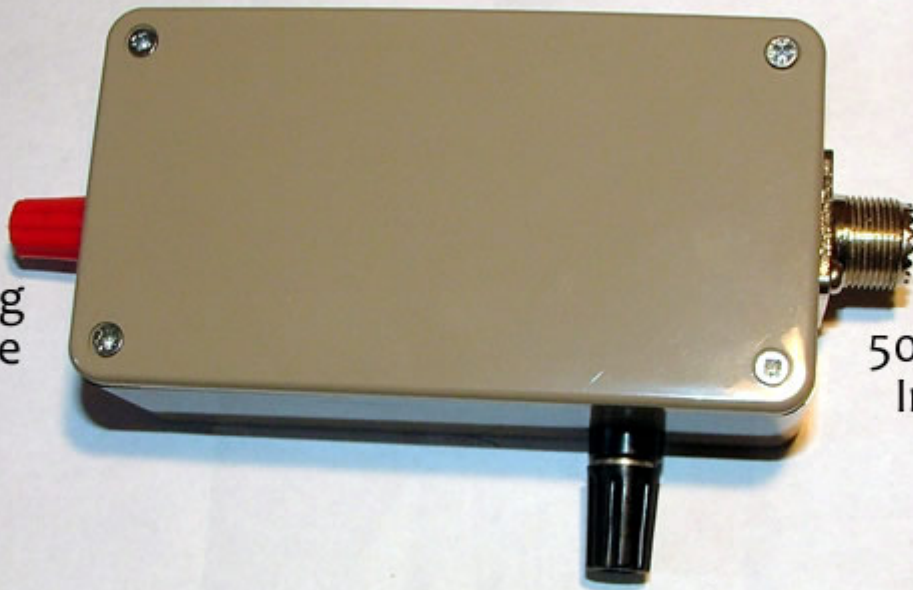


(9:1) to feed a high impedance long wire (~450 ohm), down to a 50 ohm unbalanced coaxial input. I have heard them called an UnUn which seems more appropriate. I almost bought one of these for around £30, but then decided to make one. The toroid is a T130-2 Iron Powder core, with 3 x 9 turns of 18SWG enameled copper wire, and the connections can be seen below.





Long  
Wire



50 Ohm  
Input

Ground